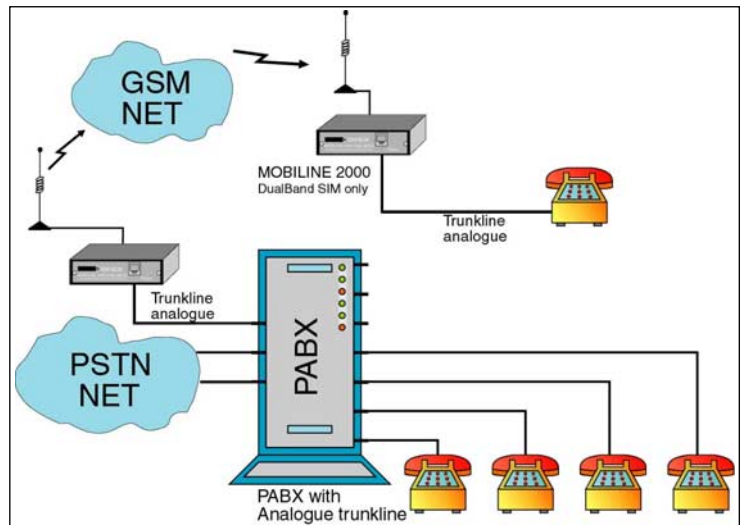


Mobiline™ 2000 Dual Band SIM-Only with build-in GSM 900/1800 technology

Product overview



*) note 1

Mobiline™ 2000 SIM-Only Box is a so-called FCT (Fixed Cellular/wireless Terminal) that converts a mobile phone connection into a standard analogue telephone connection.

Mobiline™ 2000 SIM-Only is a Plug & Play solution, which easily can be wall mounted. It requires only an antenna connected via the TNC-plug and 12-16 VDC (For instance via a standard Main adaptor (230VAC or other main standards).

The Mobiline™ 2000 SIM-Only, amongst others, includes an echo cancelling system for adaptation to different line impedance, a fixed dial system for minimising the waiting time when dialling out, and it can be used on any GSM 900/1800


The Mobiline™ 2000 SIM-Only includes a lot of programmable features, which easily can be programmed using an ordinary phone connected to the Trunk line on the Mobiline™. These features are as an example:

- Plug&Play – just insert SIM Card, connect power and you are up and running.
- Connectable as Analogue trunk.
- PIN-CODE management.
- Service- & Network operator SIM card lock system
- Programming of national alignment, tones, ringing systems and other national characteristics.
- Protected numbers
- Conversion of 00 (or 09) to + dial.
- Quick dial system, which route the dialled number immediately through the GSM net at the last dialled digit.
- Fixed call to predefined numbers.
- Polarity reversal / Line reversal on the 2-wire connection, when the conversation is established (B-answer).
- The quick dial system can also handle:
 - VPN, Virtual private network.
 - PSTN service provider register.
- High ring and line voltage, high off-hook current similar to your PSTN net. Area codes/prefix management.
- Dimension: 145 x 90 x 33 mm (excl. Antenna)
- Options:
 - 12 or 16 KHz taxation pulses.
 - Data/Fax connection via RS232.
 - SMS alarm when activating an input.
 - One output controllable via SMS
 - Statistics delivered via SMS.



*) **Note 1:** The picture shows an antenna mounted directly on the Mobiline™ 2000 Box. We strongly recommend to use external antennas, to ensure good field strength and to obtain good separation between the radiated GSM noise and the connected phone equipment.

DK-Hobro, Friday 2nd May 2003

Mobiline 2000 Dual Band SIM-Only Main products			
Product	Order no.	Description	
Mobiline 2000 SIM-Only, Standard with build-in GSM Dual Band Transceiver for GSM 900 and GSM 1800.	9820.10750	<p>Mobiline 2000. Plug & Play SIM-Only version as Analogue Trunk. Delivered in a black aluminium box, just for insertion of the SIM card and for antenna connection. Mobiline 2000 requires external 12 – 16 VDC power (power supply is not included as standard).</p> <p>**Excl. Antenna and Power adaptor**</p>	

MOBILINE 2000 – Option			
Option f.	Product	Order no.	Description
Mobiline	230VAC/12VDC power supply for Mobiline	9990.09530	Power Adaptor, for Mobiline. Output 12-16 VDC, mains 230VAC 50Hz.

MOBILINE 2000 Dual Band SIM-Only (OEM PCB versions)			
Product	Order no.	Description	
Mobiline 2000 SIM-Only, PCB-Version Printed Circuit board version with build-in GSM Dual Band Transceiver for GSM 900 and GSM 1800.	9810.10750	<p>PCB – Printed Circuit Board version of Mobiline 2000 SIM-Only, including GSM dual Band Transceiver. Plug & Play SIM-Only version as Analogue Trunk.</p> <p>Delivered as two assembled main PCB's, just for insertion of the SIM card and for antenna connection. Mobiline 2000 requires external 12 – 16 VDC power (power supply is not included as standard).</p> <p>**Excl. Antenna and Power adaptor**</p>	